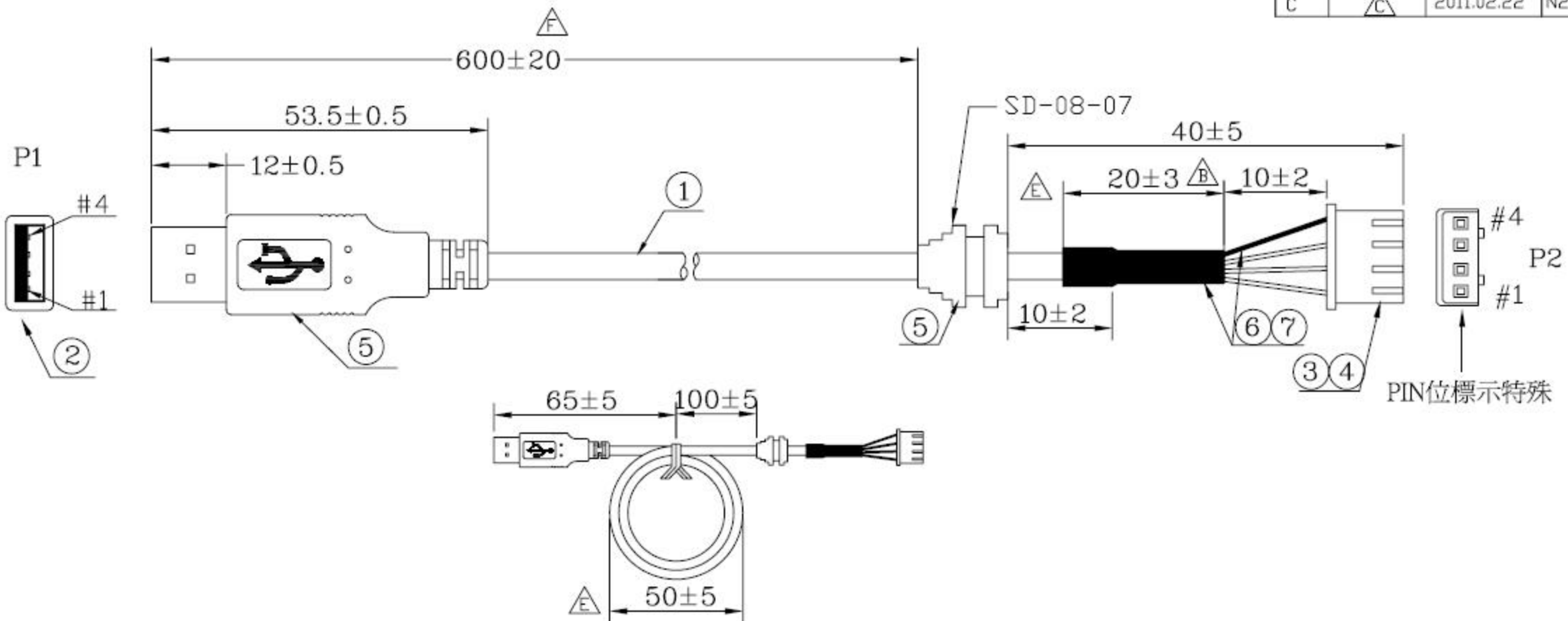
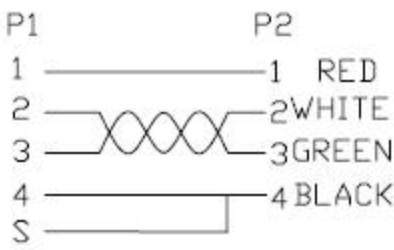


D	\triangle D	2011.02.24	N21102117	DESCRIPTION CONTROL			
E	\triangle E	2011.03.01	N21103002	REV	DESC	DATE	APP
F	\triangle F	2011.03.07		B	\triangle B	2010.09.30	N21009191
				C	\triangle C	2011.02.22	N21102095



RoHS COMPLIANT

PIN ASSIGNMENT



* 220030000364	TIE-A-WHITE		80.0	MM
* 310000000012	CARTON:46*30*25CM		A/R	PCS
* 300010000001	PE BAG:30*28*0.08MM		A/R	PCS
* 300030000193	PE BAG:5*6*0.06MM		1	PCS
7	200032000155	HT-TUBE- \varnothing D:1.0MM	35*1	MM
6	200032000160	HT-TUBE- \varnothing D:5.0MM	\triangle B	20*1
5	120010000067	PVC-TT02/50	10.5	G
4	250020001609	TERMINAL:JS2503-GO<鍍金>	4	PCS
3	250010000112	HOUSING:JS-2503-04P<PH:2.5><WH>	1	PCS
2	180-041013-C	USB-A-P(WHITE)/L	1	PCS
1	1303042021523	28#*1P+24#*2C+AB(64#)-TT02- \varnothing D:4.5	\triangle F	1.31/2
		UL2725<REV:2.0>		M
NO	PART NO	DESCRIPTION	QTY	UNIT

INNER MOLDING				
OUTER MOLDING	USB A-01	MF535KF		
ITEM:				REV
				F
DRAW, BY:	Fu Dan Xia	SCALE:	NONE	DATE:
				2010.07.23
CHECK, BY:		CUSTOMER:		PAGE:
				1/1
APP, BY:		CUSTOMER P/N:	UMC-102-MSL<9751>	
			ALL DIMENSIONS IN mm	