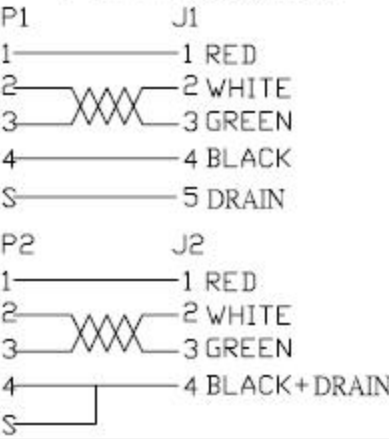


RoHS COMPLIANT

DESCRIPTION CONTROL			
REV	DESC	DATE	APP

PIN ASSIGNMENT



NO	PART NO.	DESCRIPTION	QTY	UNIT
7	ZZZC45000082	CARTON:580*360*276MM(P/N:ACCTB-BOX2.0R)	1/25	PCS
6	ZZZC45000083	CARTON-P:570*350*3MM(P/N:ACCTC-BA5633R)	2/25	PCS
5	ZZZC45000134	白盒:192*151*65MM(P/N:ACCB-UR502ACTR)	1	PCS
4	ZZZC45000184	塑膠殼:上蓋,透明黑,無噴漆,材質PC,印刷白字:USB 2.0 High Speed 月亮(紅色) Extension(白色)(P/N:AACSC-UR502ACTR)	1	PCS
3	ZZZC45000185	塑膠殼:下蓋,透明黑,無噴漆,無印刷,材質PC (P/N:AACSD-UR502ACTR)	1	PCS
2	ZZZC45000139	PCB半成品已加工成SMT(P/N:BAPS-UR502ACTR)	1	PCS
1		CABLE:ZUSB00000002135	1	PCS

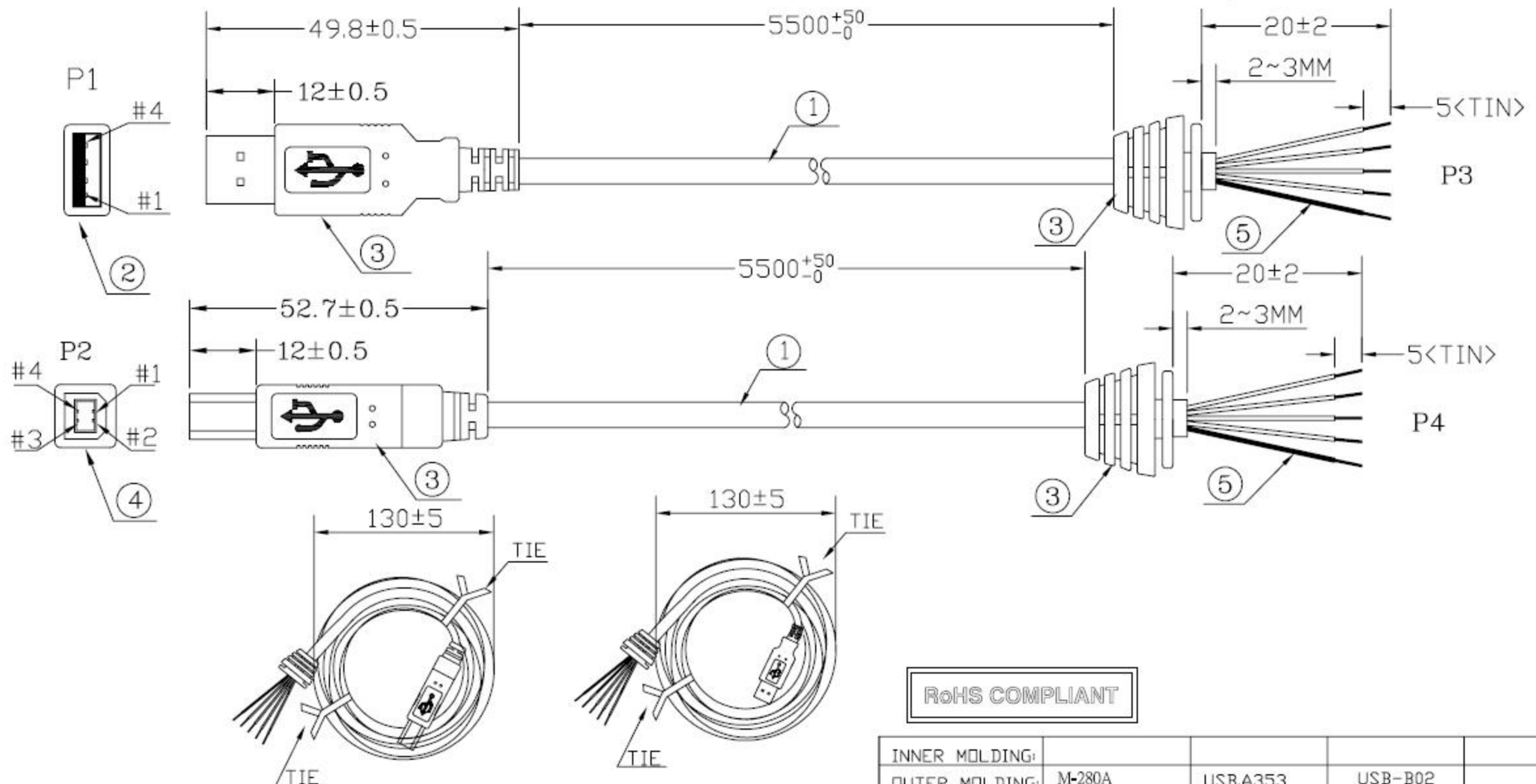
INNER MOLDING			
OUTER MOLDING			



DRAW, BY: 雷爭	SCALE: NONE	DATE: 2008-07-07	REV R
CHECK, BY:	CUSTOMER:		ITEM:
APP, BY:	CUSTOMER P/N: UR-502ACT		

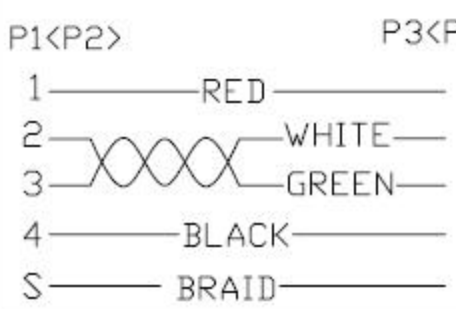
ALL DIMENSIONS IN mm

DESCRIPTION CONTROL			
REV	DESC	DATE	APP



RoHS COMPLIANT

PIN ASSIGNMENT



NO	PART NO.	DESCRIPTION	QTY	UNIT
*		TIE-A-WH	150*4	MM
5	210	TUBE-HT-φ1.0	18*2	MM
4	181-041313-C	USB-B-P<WH>/L (PIN鍍金30*)	1	SET
3	370	PVC-TT56/50	22	G
2	180-041313-C	USB-A-P<WH>/L (PIN鍍金30*)	1	SET
1	210	28/20-1P/2C+A+B(64#)-TT56-φ5.0U2725(REV:2.0)	5.58*2	M

INNER MOLDING:			
OUTER MOLDING:	M-280A	USB.A353	USB-B02

	ITEM:	REV
		R
	DRAWN, BY: 葉麗珍	
CHECKED, BY:		DATE: 2008/07/08
APP'ED, BY:		CUSTOMER:
		CUSTOMER P/N:

ALL DIMENSIONS IN mm