

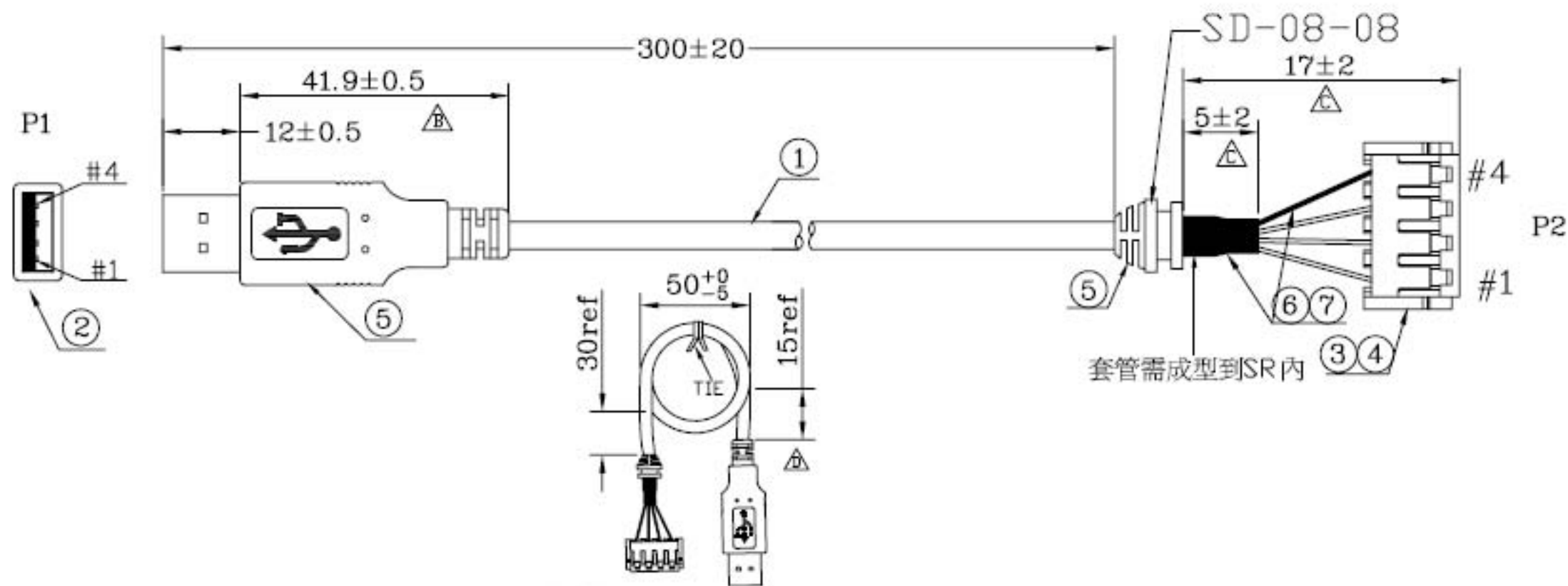


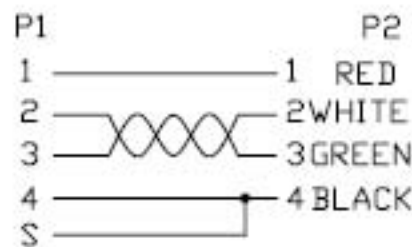
REV	DESC	DATE	APP
B		2010/12/21	N21012162
C		2010/12/23	N21012178





RoHS COMPLIANT

* 220030000364	TIE-WHITE		1*80	MM
* 310000000012	CARTON:46*30*25CM		A/R	PCS
* 300010000001	PE BAG:30*28*0.08MM		A/R	PCS
* 300030000193	PE BAG:5*6*0.06MM		1	PCS
7 200032000155	HT-TUBE-OD:1.0MM		10*1	MM
6 200032000160	HT-TUBE-OD:5.0MM		8*1	MM
5 120010000067	PVC-TT02/50		10.5	G
4 250020000016	TERMINAL-JS2505-T01-02-0132		4	PCS
3 250010000025	JS-2505-H01-50-8804<PH:2.5><WH>		1	PCS
2 180-041013-C	USB-A-P<WHITE>/L		1	PCS
1 1303042020083	28#*1P+28#*2C+AB(64#)-TT02-OD:3.8 UL2725<REV:2.0>		0.66/2	M
NO	PART NO	DESCRIPTION	QTY	UNIT

PIN ASSIGNMENT



		ITEM:	REV
		DRAW, BY: Fu Dan Xia	D
		CHECK, BY:	SCALE: NONE
		APP, BY:	DATE: 2010.07.23
		CUSTOMER: C450(品元)	PAGE: 1/1
		CUSTOMER P/N: USB-240SLb<9716 USB A/M+EH4P>	
ALL DIMENSIONS IN mm			