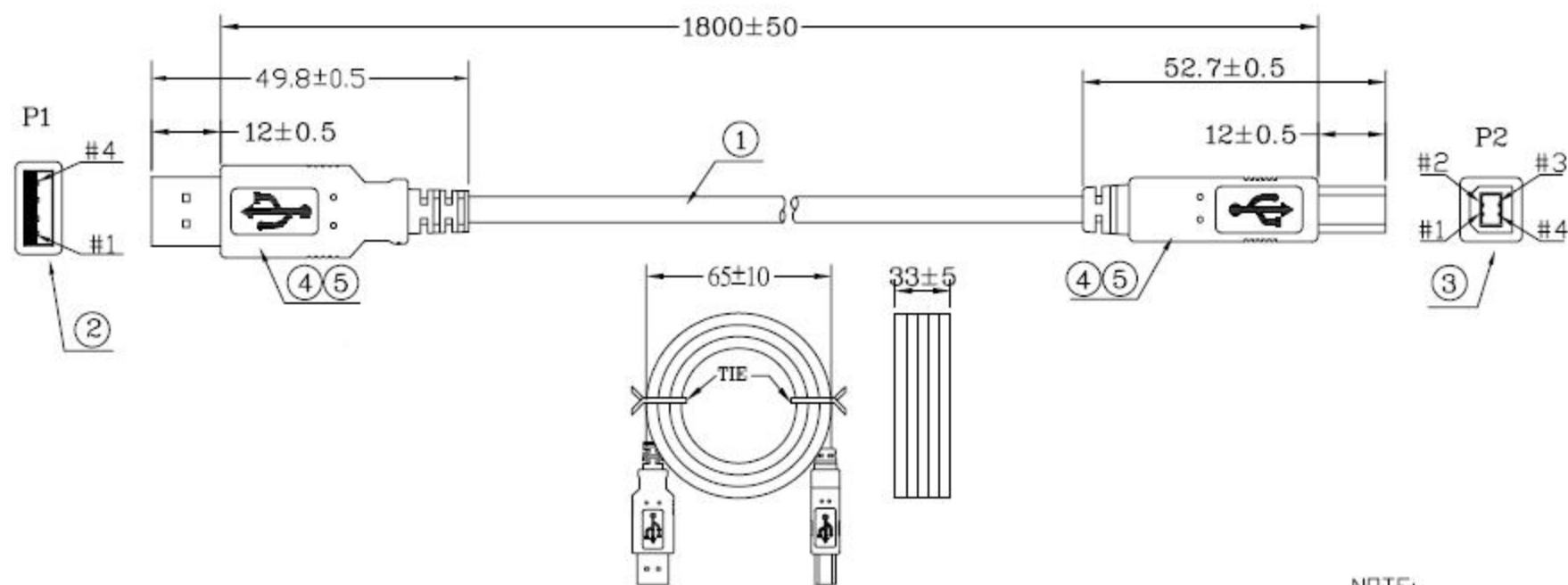


REV	DESC	DATE	ECN NO.



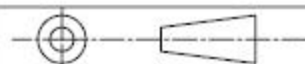
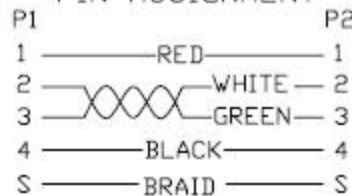
繞線方式:線圈外徑65MM*厚度33MM

NOTE:
REFUB010210004132

RoHS COMPLIANT

×	390	CARTON:46*30*25CM	A/R	PCS	INNER MOLDING			
×	390	PE BAG:30*28*0.08MM	A/R	PCS	OUTER MOLDING		USB.B02	
×	390	PE BAG:6*8*0.06MM	1	PCS				
×	390	TIE:120/WH03	2	PCS				
5	370	SOL WIRE-FULL-TIN-1.0	0.20	G				
4	370	PVC-TT02/50	13.5	G				
3	220	USB-B-P<WHITE> <G/F>	1	SET				
2	220	USB-A-P<WHITE>/L <G/F>	1	SET				
1	210	28*1P+24*2C+A+B(64#) -TT02-4.8UL2725<REV:2.0>	1.8	M				
NO	PART NO.	DESCRIPTION	QTY	UNIT				

PIN ASSIGNMENT



ITEM:

REV

R2

DRAW.BY:葉麗珍

SCALE: NONE

DATE: 2008.02.18

CHECK.BY:

CUSTOMER: C450

PAGE: 1/1

APP.BY:

CUSTOMER P/N:

ALL DIMENSIONS IN mm