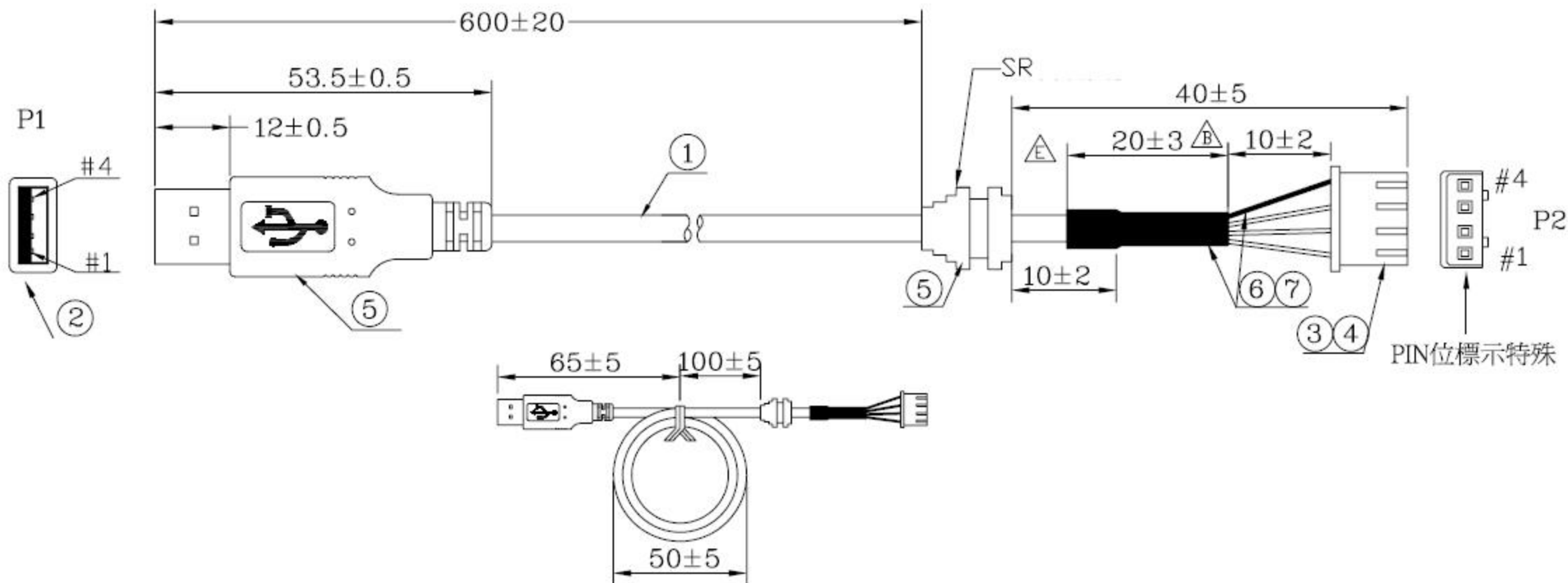


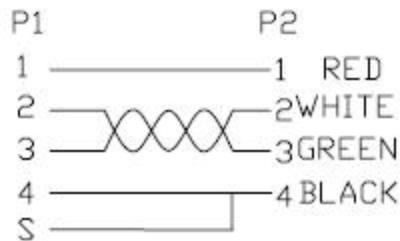
| | | DESCRIPTION CONTROL | | | |
|-----|----------|---------------------|-----------|---|------------|
| REV | DESC | DATE | APP | | |
| D | Δ | 2011.02.24 | N21102117 | | |
| E | Δ | 2011.03.01 | N21103002 | | |
| F | Δ | 2011.03.07 | | B | Δ |
| | | | | C | Δ |
| | | | | | 2010.09.30 |
| | | | | | N21009191 |
| | | | | | 2011.02.22 |
| | | | | | N21102095 |



RoHS COMPLIANT

| | | | | |
|----|---------------|--|-----------------|------|
| * | 220030000364 | TIE-A-WHITE | 80.0 | MM |
| * | 310000000012 | CARTON:46*30*25CM | A/R | PCS |
| * | 300010000001 | PE BAG:30*28*0.08MM | A/R | PCS |
| * | 300030000193 | PE BAG:5*6*0.06MM | 1 | PCS |
| 7 | 200032000155 | HT-TUBE-OD:1.0MM | 35*1 | MM |
| 6 | 200032000160 | HT-TUBE-OD:5.0MM | Δ 20*1 | MM |
| 5 | 120010000067 | PVC-TT02/50 | 10.5 | G |
| 4 | 250020001609 | TERMINAL:JS2503-GO<鍍金> | 4 | PCS |
| 3 | 250010000112 | HOUSING:JS-2503-04P<PH:2.5><WH> | 1 | PCS |
| 2 | 180-041013-C | USB-A-P<WHITE>/L | 1 | PCS |
| 1 | 1303042021523 | 28#*1P+24#*2C+AB<64#>-TT02-OD:4.5 UL2725<REV:2.0> | Δ 1.31/2 | M |
| NO | PART NO | DESCRIPTION | QTY | UNIT |

PIN ASSIGNMENT



| | | | | |
|----------------------|------------|---------------|---------|------------|
| INNER MOLDING | | | | |
| OUTER MOLDING | USB A-01 | MF535KF | | |
| ITEM: | | | | REV |
| | | | | F |
| DRAW, BY: | Fu Dan Xia | SCALE: | NONE | DATE: |
| | | | | 2010.07.23 |
| CHECK, BY: | | CUSTOMER: | | PAGE: |
| | | | | 1/1 |
| APP, BY: | | CUSTOMER P/N: | UMC-102 | |
| ALL DIMENSIONS IN mm | | | | |