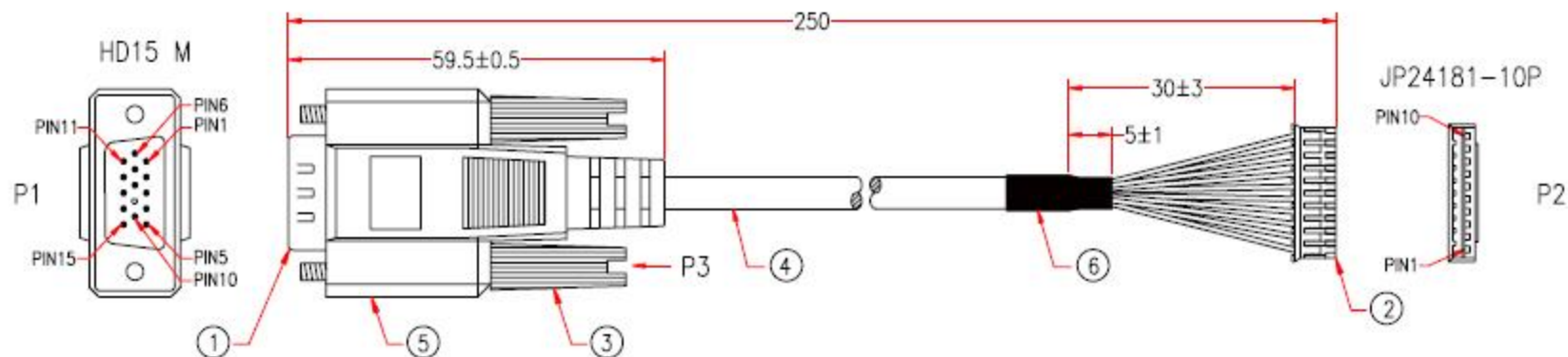


P1: M-Y139C
M-139C
P3: M-426E

Customer No: No.4



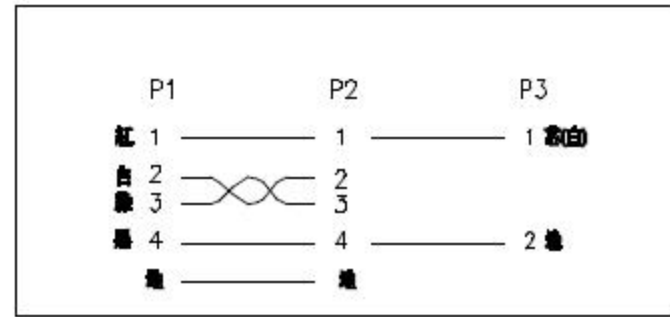
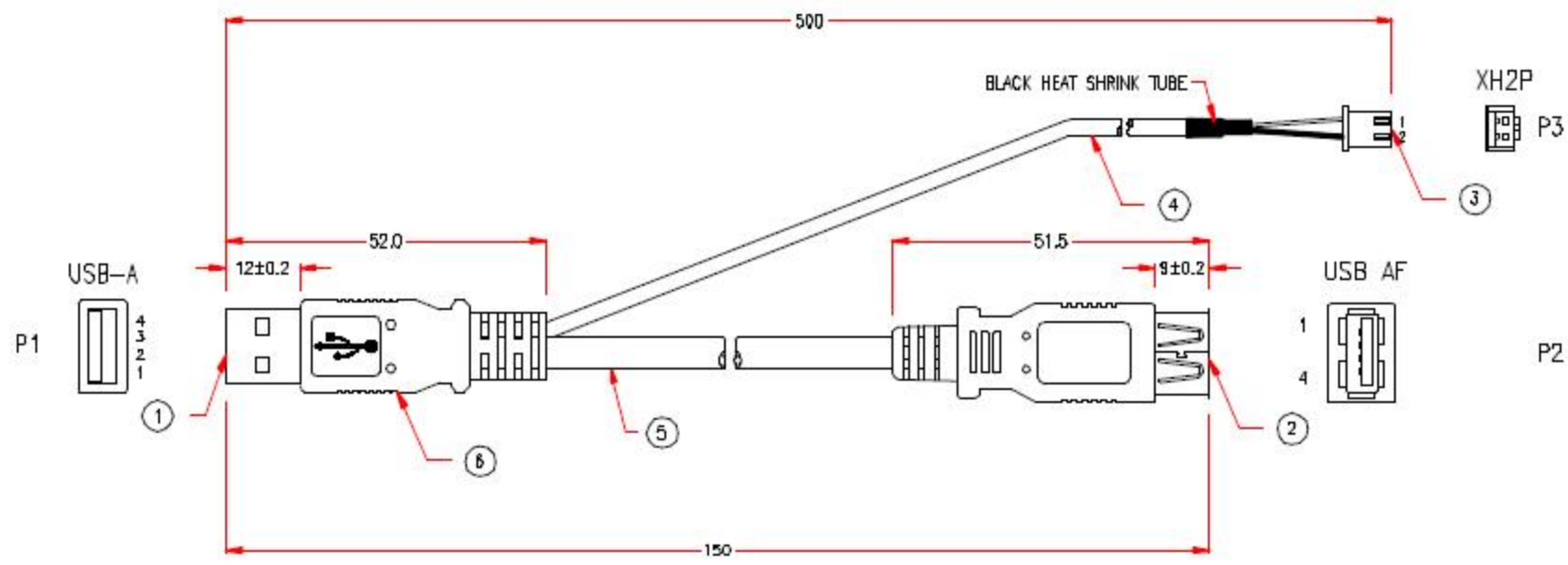
P1		P2	
1	1	BROWN	
2	3	RED	
3	5	ORANGE	
12	7	PURPLE	
13	9	GREY	
14	10	WHITE	
15	8	BLACK	
6	2	YELLOW	
7	4	GREEN	
8	6	BLUE	
SHIELD		CUT	

6	BLACK HEAT SHRINK TUBE $\phi 6.0 \times 18\text{mm}$	1	M743
5	BLACK HEAT SHRINK TUBE $\phi 3.0 \times 22\text{mm}$	1	M743
	COPPER FOIL $3.3 \times 65\text{mm}$	1	M379
	MOLDED PE COLOR TRANSPARENT		TWN
	MOLDED PVC BEIGE(MZB1011)		M304
4	UL2464 10C 28AWG, ALUM-MYLAR FOIL AND COPPER BRAID SHIELDING WITH DRAIN WIRE, OD 5.0mm, JACKET BEIGE(MZB1011), DRAWING No.EMAB2B10C-32B	250mm	M304
3	MOLDED THUMBSCREW #4-40, LENGTH 46.5mm, BEIGE(MZB1011)	2	M95
2	TERMINAL: JP24181-T	10	M29
	HOUSING: JP24181-10P, PITCH 2.0mm	1	M29
1	HD15 MALE WITHOUT PIN 9, GOLD FLASH ON CONTACTS, BLUE INSULATOR	1	M108
No.	DESCRIPTION	Q'TY	Supplier
APPROVED		Cable Length Unless Other Spec. Tolerances: 0 ~200mm $\pm 10\text{mm}$ 201~1000mm $\pm 20\text{mm}$ 1001 ~1500mm $\pm 25\text{mm}$ 1501~2100mm $\pm 30\text{mm}$ 2100mm $\pm 40\text{mm}$	
CHECKED	TIAN		
DRAWING	SUSAN		
DATE	24/JAN/06	ITEM NO.	
		UNIT:mm	

CHECKED

P1: M-018

P2: M-928



6	MOLDED PVC BEIGE (MZ10110)		M304
5	USB CABLE UL STYLE ONE TWISTED PAIR 28AWG AND 2C 24AWG, OD 5.0, JACKET BEIGE (MZ1011)	1	M2
4	1CS 26AWG, OD 2.8, JACKET BEIGE (MZ1011)	1	M2
3	XH2P HOUSIN	1	M31
2	USB A FEMALE CONNECTOR	1	M1
1	USB A CONNECTOR, SHDRT BODY	1	M1
Nb.	DESCRIPTION	Q'TY	Supplier
APPROVED		Cable Length Tolerances:	
CHECKED	譚小麗	0 ~0.2M	±0.01M
		0.21~1.0M	±0.02M
		1.1 ~1.9M	±0.03M
		1.51~2.1M	±0.05M
		2.1M	±0.04M
DRAWING	易年芳	ITEM NO.	